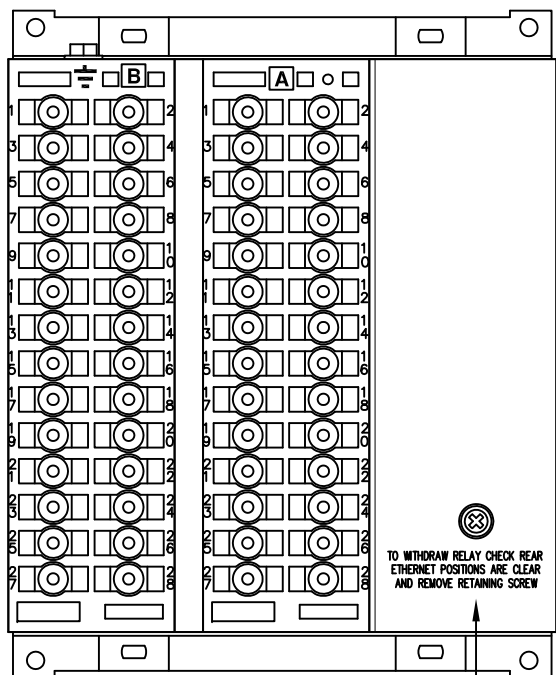
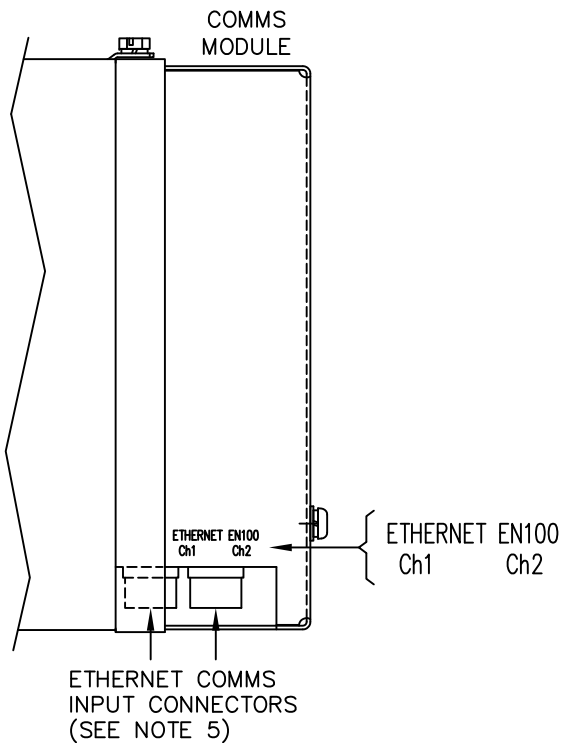


IF IN DOUBT ASK
DO NOT SCALE



RELAY VIEWED FROM REAR
TO WITHDRAW RELAY CHECK REAR
ETHERNET POSITIONS ARE CLEAR
AND REMOVE RETAINING SCREW



PART SIDE VIEW ON ARROW 'A'

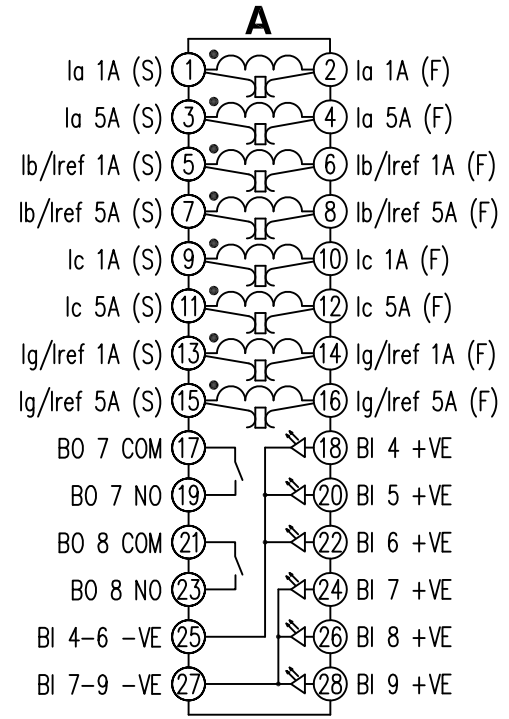
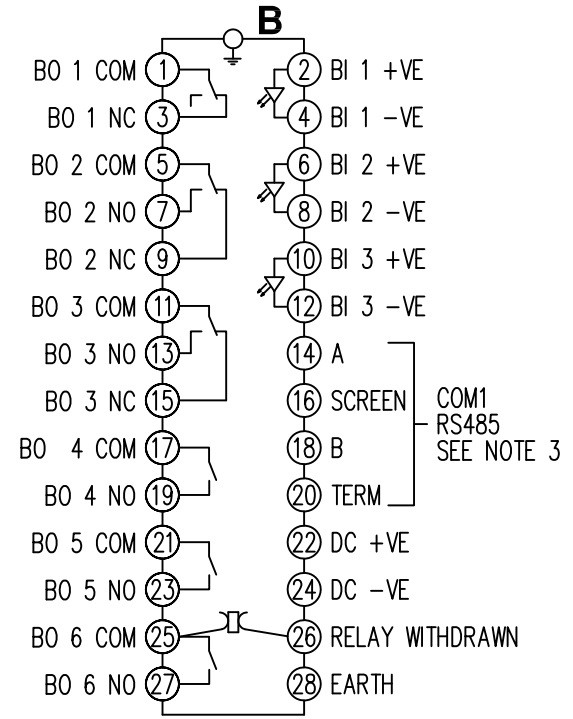
- NOTES**
- 1) TERMINALS RECOMMENDED ARE PRE-INSULATED & MUST BE CRIMPED USING APPROVED TOOLING. AMP PIDG OR PLASTI GRIP FUNNEL ENTRY (RING TONGUE) FOR M4 FIXING STUD.

SUPPLIER	PART NUMBER	CABLE SIZE
AMP	342103	0.25-1.6mm ²
AMP	342143	1.0-2.6mm ²

 OR ANY OTHER MANUFACTURERS EQUIVALENT TERMINAL.
 - 2) FOR OUTLINE & PANEL DRILLING, SEE 2995X10020 (A4).
 - 3) CONNECTIONS TO THIS COMMUNICATIONS FACILITY IS BY SCREENED, TWISTED PAIR CABLE, ON SITE. WHEN WIRING OTHER FACILITIES ENSURE THAT THESE TERMINALS ARE NOT OBSCURED BY OTHER WIRE RUNS.
 - 4) CONTACTS SHOWN THUS ARE INTERNAL RELAY CASE ASSEMBLY AND CLOSE WHEN THE RELAY CHASSIS IS WITHDRAWN FROM THE CASE.
 - 5) THE ETHERNET PORTS CAN BE EITHER -
2 x FIBRE OPTIC OR 2 x ELECTRICAL.

ABBREVIATIONS	
I	CURRENT INPUTS
BI	BINARY INPUTS
BO	BINARY OUTPUTS
CO	CHANGE OVER BINARY OUTPUT CONTACTS
NO	NORMALLY OPEN BINARY OUTPUT CONTACTS
NC	NORMALLY CLOSED BINARY OUTPUT CONTACTS

COMMUNICATIONS IDENTIFICATION	
COM1	RS485 (ON BLOCK 'B' TERMINALS 14,16,18 & 20)
COM2	USB TYPE 'B' PORT (ON RELAY FRONT LABEL)
COM3	ETHERNET(x2) PORTS (ON REAR COMMS MODULE)



NOT SUBJECT TO UPDATE
ONCE COPIED / PRINTED
OR DOWNLOADED

MATERIAL:

Dimensions in millimetres : Surface texture in micrometres.
 Machine where marked ✓
 For explanation of dimensions, tolerances, notes etc. see B.S.308.
 Limit on untoleranced unmachined dimensions ± _____
 Limits on untoleranced machined dimensions to B.S.4500;
 i.e. up to 6±0.1; over 30 to 120±0.3; over 315±0.8;
 over 6 to 30±0.2; over 120 to 315±0.5;
 General unmachined angular tolerance ± _____

Finish: _____
 Treatment: _____

Title:
 TERMINAL ID & WIRING DIAGRAM FOR 7SR23(DAD)
 4I, 9BI, 2CO,5NO,1NC, RS485, ETHERNET(x2), E6 CASE

SIEMENS PROTECTION DEVICES LTD.

Original Scale:
 NTS

First used on: _____
 Similar Articles: _____
 Supersedes: _____
 Drg. No.
 2414W40005

Copyright © 2012 Siemens Protection Devices Ltd. Hebburn

1	26/01/12	CHANGE	△
ISSUE	DATE	NOTED	